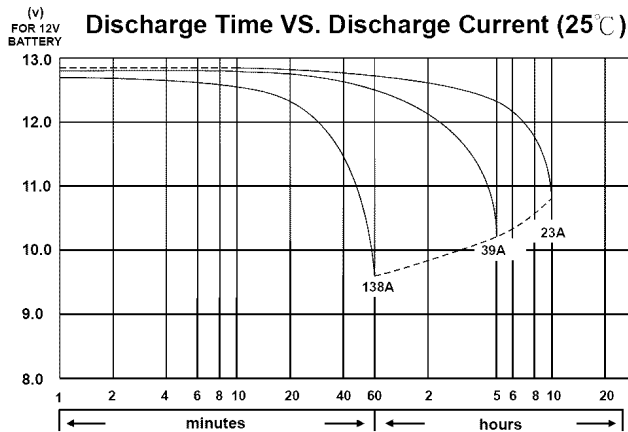
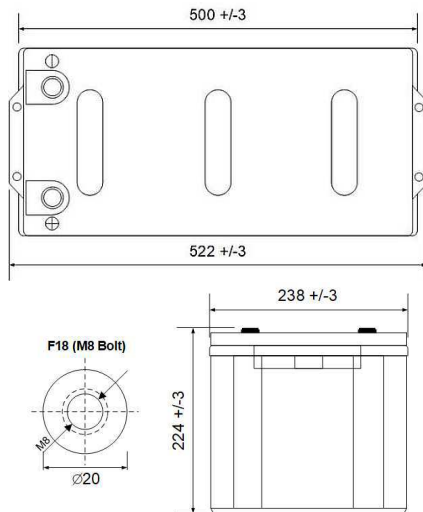
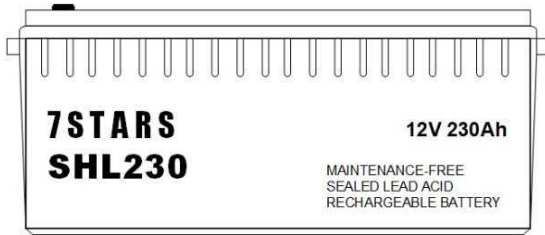


SHL230

12V VRLA BATTERY



VALVE REGULATED LEAD ACID BATTERIES – AGM



Nominal Voltage Type 12 V
AGM VRLA

Nominal Capacity
10 hours rate 230Ah
5 hours rate 196Ah
1 hour rate 138Ah
1C 86Ah

Weight 73.2kg

Internal Resistance 2.5mΩ@1kHz

Maximum Discharge Current for
5 sec. 1840A
Short Circuit 3600A

Operating Temperature Range
Charge -15°C ÷ 40°C
Discharge -15°C ÷ 50°C
Storage -15°C ÷ 40°C

Charge Retention (shelf life) at 20°C

1 month 98%
3 months 94%
6 months 85%

Charging Methods at 20°C

Max. Charging Current 69 A
Charging Voltage 14.4 ÷ 15.0V
Cycle use: 13.5 ÷ 13.8V
Standby use: 5.0/-3.0 mV/°C/cell
Thermal Coeff. Cycle/St.By

Life expectancy

Cycle Use
100% depth of discharge 250 cycles
50% depth of discharge 600 cycles
30% depth of discharge 1200 cycles
Standby Use 12 years / Long Life (EUROBAT)

Case Material ABS UL94 HB

Terminal F18 (M8 Bolt)
Torque value (Max.) 12Nm (15Nm)

Constant Power Discharge Characteristics (25°C) [Watt]

Cut Off	Time											
	5'	10'	15'	30'	1H	1.5H	2H	3H	4H	5H	10H	20H
11.1V	6 732	5 341	4 421	2 848	1 642	1 182	966	708	553	474	257	139
10.8V	7 405	5 826	4 778	3 041	1 760	1 284	1 020	750	582	496	269	146
10.5V	7 994	6 264	5 125	3 249	1 867	1 347	1 062	774	600	509	278	150
10.2V	8 415	6 594	5 392	3 431	1 955	1 398	1 092	792	618	520	285	153
10.0V	8 617	6 746	5 515	3 512	1 994	1 423	1 104	798	624	523	287	154
9.9V	8 777	6 872	5 637	3 592	2 033	1 449	1 116	804	630	527	290	155
9.6V	9 130	7 150	5 854	3 700	2 072	1 481	1 140	816	636	533	294	157

Due to continuous product improvement, the design and specifications are subject to change without prior notice.