

VALVE REGULATED LEAD ACID BATTERIES – AGM



Nominal Voltage Type 12V
AGM VRLA

Nominal Capacity
20 hours rate 26Ah
10 hours rate 24.7Ah
5 hours rate 22.1Ah
1C 14.7Ah
3C 10.4Ah

Weight 9.3kg

Internal Resistance 9.5mΩ@1kHz

Maximum Discharge Current for
5 sec. 390A
Short Circuit 780A

Operating Temperature Range
Charge -15°C ÷ 40°C
Discharge -15°C ÷ 50°C
Storage -15°C ÷ 40°C

Charge Retention (shelf life) at 20°C

1 month 92%
3 months 90%
6 months 80%

Charging Methods at 20°C

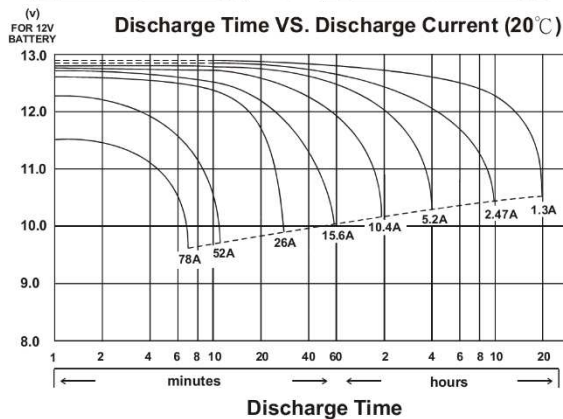
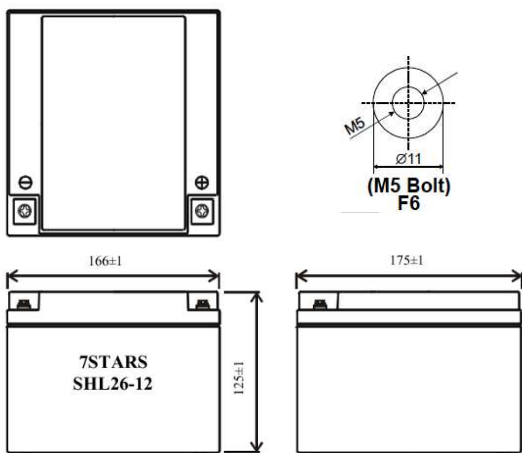
Max. Charging Current 7.8A
Charging Voltage
Cycle use: 14.4 ÷ 15.0V
Standby use: 13.5 ÷ 13.8V
Thermal Coeff. Cycle/St.By -5.0/-3.0 mV/°C/cell

Life expectancy

Cycle Use
100% depth of discharge 200 cycles
50% depth of discharge 500 cycles
30% depth of discharge 1000 cycles
Standby Use 10/12 years Long Life (EUROBAT)

Case Material ABS UL94 HB

Terminal F6 (M5 Bolt)
Torque value (Max.) 4Nm (6Nm)



Standards and Certifications: CE, IEC 62056-1, IEC 60896-21-1, IEC 60896-22-1, IEC 61000-6-1, IEC 61000-6-3

Constant Power Discharge Characteristics (25°C) [Watt]

| Cut Off | Time | | | | | | | | | | |
|---------|-------|-----|-----|-----|-----|-----|------|------|------|------|------|
| | 5' | 10' | 15' | 30' | 1H | 2H | 3H | 4H | 5H | 10H | 20H |
| 11.1V | 882 | 648 | 472 | 254 | 181 | 115 | 76,8 | 61,8 | 52,5 | 32,5 | 15,7 |
| 10.8V | 966 | 684 | 504 | 272 | 190 | 119 | 79,2 | 63,0 | 53,4 | 33,1 | 16,1 |
| 10.5V | 1 038 | 714 | 529 | 283 | 194 | 121 | 80,4 | 64,2 | 53,9 | 33,5 | 16,4 |
| 10.2V | 1 110 | 750 | 553 | 292 | 197 | 124 | 81,6 | 64,8 | 54,4 | 34,0 | 16,7 |
| 10.0V | 1 146 | 768 | 565 | 297 | 199 | 125 | 81,6 | 65,4 | 54,6 | 34,1 | 16,8 |
| 9.9V | 1 176 | 786 | 576 | 302 | 201 | 126 | 82,2 | 65,4 | 54,9 | 34,3 | 16,9 |
| 9.6V | 1 248 | 810 | 597 | 308 | 203 | 127 | 82,8 | 66,0 | 56,2 | 34,5 | 17,0 |

Due to continuous product improvement, the design and specifications are subject to change without prior notice.